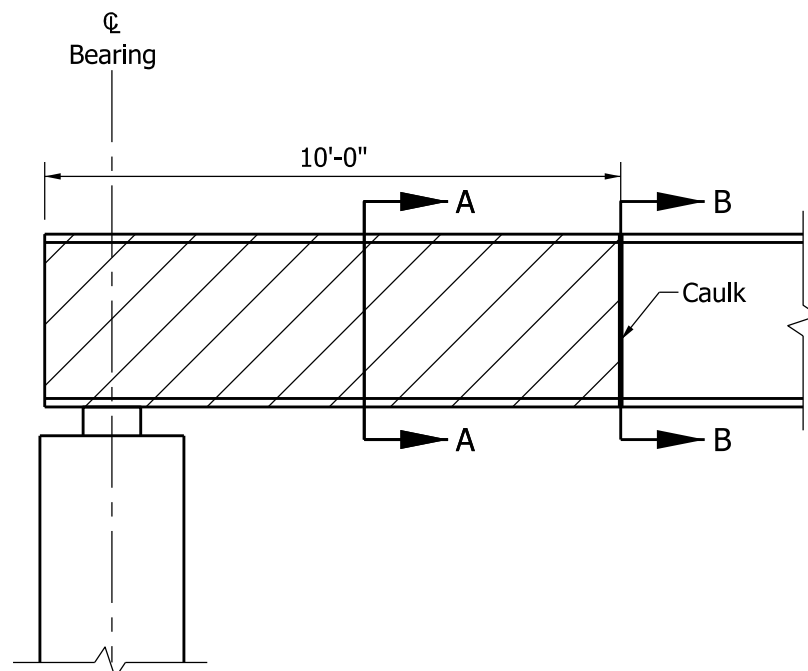


BEAM OR GIRDER AT INTERIOR SUPPORT

ELEVATION VIEW
(Bridge Deck not shown for clarity)



BEAM OR GIRDER AT END-BENT SUPPORT

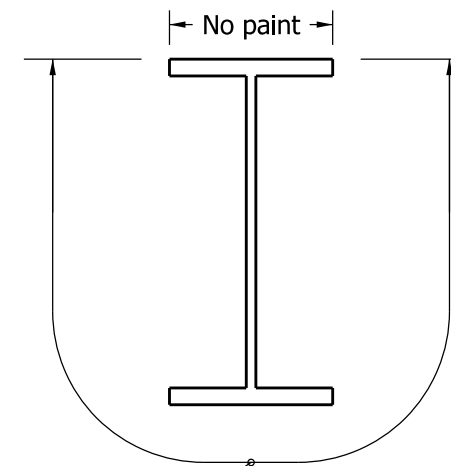
ELEVATION VIEW
(Bridge Deck, Mudwall, and Concrete Encasement not shown for clarity)

NOTE:

1. Caulk shall be placed on the painted surface at the painted/unpainted interface and is intended to function as a drip bead.

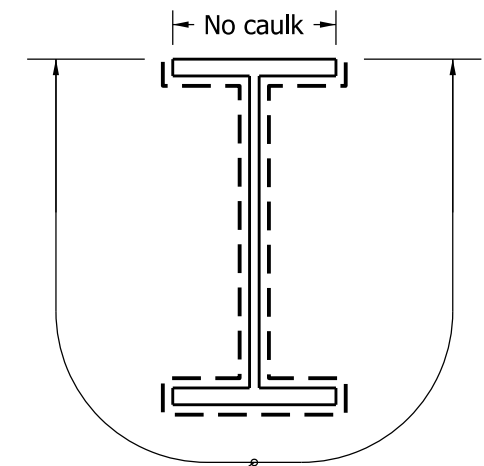
LEGEND:

- = Area to be painted
- = Caulk Bead



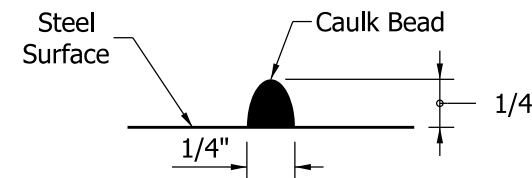
Limits of painting

SECTION A-A



Limits of caulking

SECTION B-B



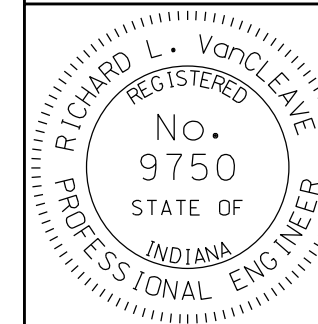
CAULK BEAD DETAIL

INDIANA DEPARTMENT OF TRANSPORTATION

PAINTING REQUIREMENTS
FOR WEATHERING STEEL

SEPTEMBER 2011

STANDARD DRAWING NO. E 619-PRWS-01



DESIGN STANDARDS ENGINEER

/s/ Richard L. VanCleave 09/01/11
DESIGN STANDARDS ENGINEER DATE

/s/ Mark A. Miller 09/01/11
CHIEF HIGHWAY ENGINEER DATE